

## Specification of Microphone Kit for GlobalSat TR-600/TR-600G

1. Scope: This specification is applied to microphone kit.
2. Item No.: LF-MM127BC3
3. Ratings for microphone

3-1.	Dimension	Ø9.7 × 5.0mm
3-2.	Directivity	Uni-directional
3-3.	Sensitivity	-36 ± 5dB (finished product) At 3V, 2.2Kohm, 0dB=1V/Pa 1KHz
3-4.	Impedance	2.2K Ohm @1KHz
3-5.	Max. Operation voltage	10V
3-6.	Stand operating voltage	3V
3-7.	Frequency	100 ~ 10,000Hz
3-8.	Current Consumption	0.5mA Max.
3-9.	S/N Ratio	Min. 55dB @1KHz
3-10	Dimension	As fig. 1
3-11	Schematic diagram	As fig. 2
3-12	Typical Frequency Response Curve	As fig. 3

### 4. Plug and Wire

4-1	Plug: Ø3.5mm, mono straight shape plug.
4-2.	Wire
	1. Specification: 1.9mm (20/0.08 Shield x 1C origin twist + 10/0.08 Shield x 1C origin)
	2. Dimension: L=3000 + 50mm
	3. Breaking strength: Breaking shall not less than 20 LBS.
	4. Total resistance: Resistance shall not exceed 0.3 ohm per meter.
4-3	Cutaway view: As fig. 4.

## 5. General characteristics

	Item	Test Condition	Standard
5-1	Operation temperature	-20°C ~ 60°C	Product must function.
5-2	Storage temperature	-25°C ~ 65°C	
5-3	External appearance	N/A	Should not exist any kinds of obstacle to be harmful to normal operation, not any remarkable damages, cracks rust and distortion that may cause malfunction.
5-4	Humidity characteristics	72 hours in 90~95% relative humidity at 40 ±2°C and 2 hour drying under normal condition.	No any defects are found after test.
5-5	Vibration resistance	Vibration for 1 hour in each three orientations at sweep vibration (10~55 Hz) with 2.0mm P-P amplitude.	
5-6	Drop test	a. After packing: from 762mm (on the concrete)	Product must function and no defects are found after dropping one time on one corner, each three adjacent edges and six sides.
		b. Headset: from 1.5m (on the concrete)	Shall be normal after test: The direction of drop: 3 directions; 3 times in each orientations.
5-7	Wire Flex life	Flexed over a radius of 3.2mm, 60° to each side of vertical, at approx 20 cycles per minute, with a load of 100 ± 3.7g, Holding the wire taught. One cycle is 2 complete 60 arcs.	Product must function after 2,000 flex cycles. A failure is complete loss of conductivity on any of the 2 conductors.
5-8	Strain relief flex life	Flex at angle = ± 60°. Apply 100g load at the headset side and 100g at the plug side, at 20 cycles per minute.	Product must function after 2,000 flex cycles on the plug side and 1,000 flex cycles on the headset.

Fig. 1

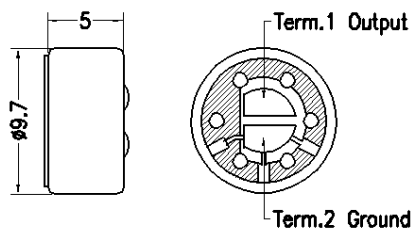


Fig. 2

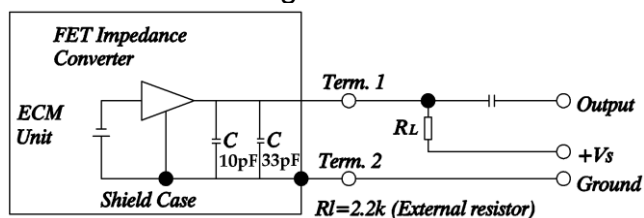


Fig. 3

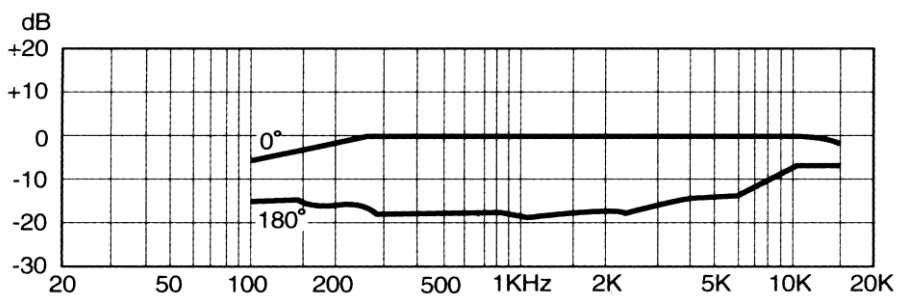
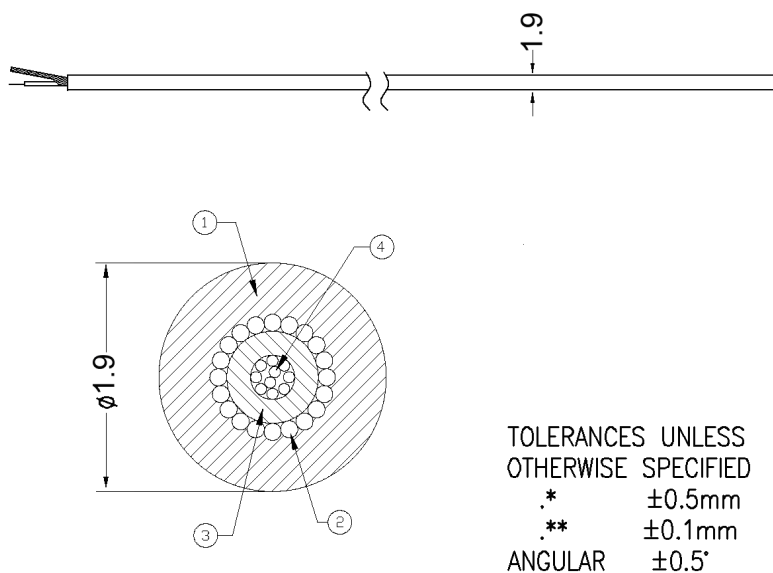
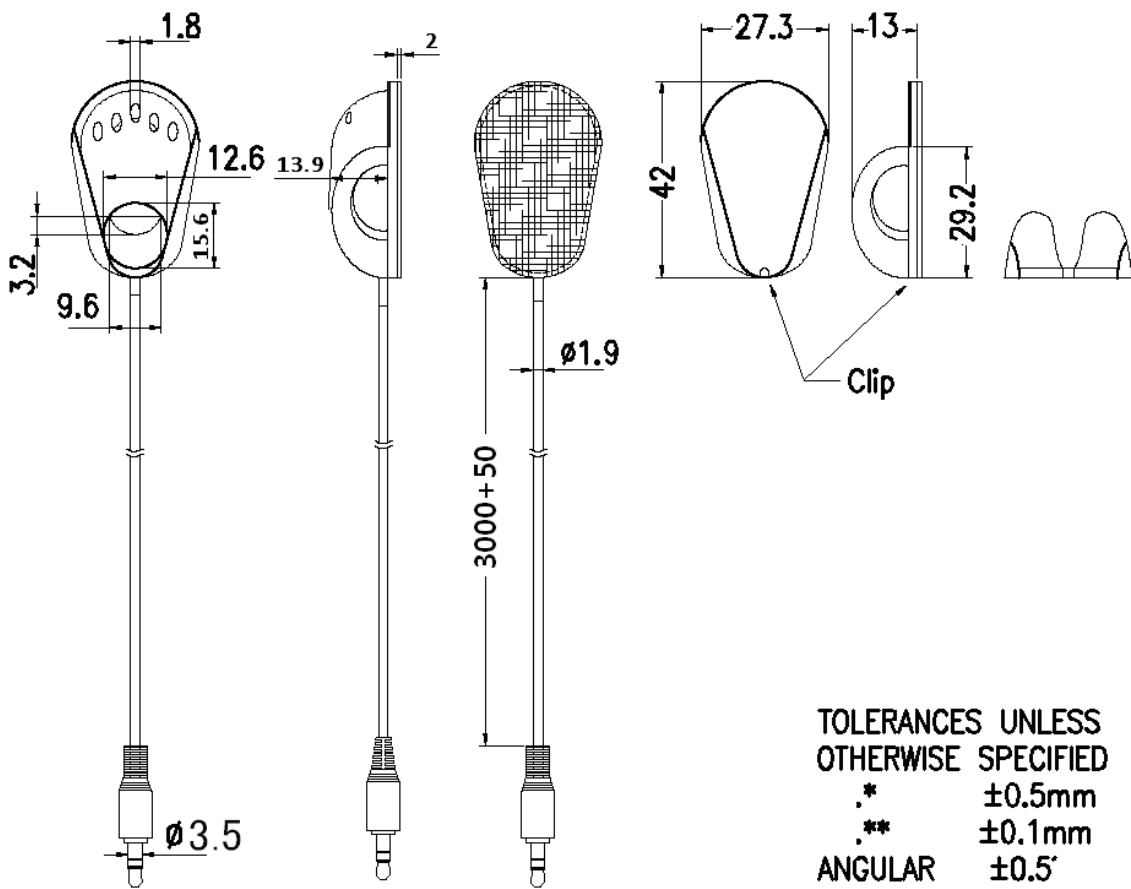


Fig. 4



1. Outer black PVC
2. Conductor 20 strands copper; DIA: 0.08mm
3. White PVC
4. 10 strands copper; DIA: 0.08mm

6. Appearance: (units: mm)



7. Connection:

